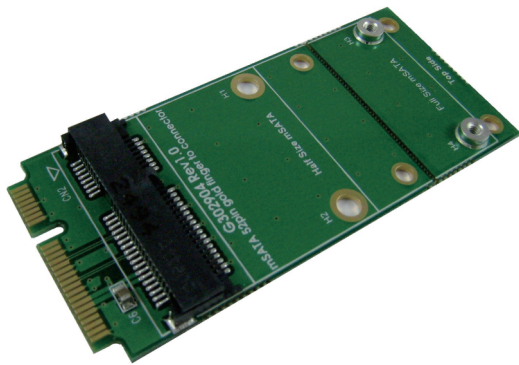
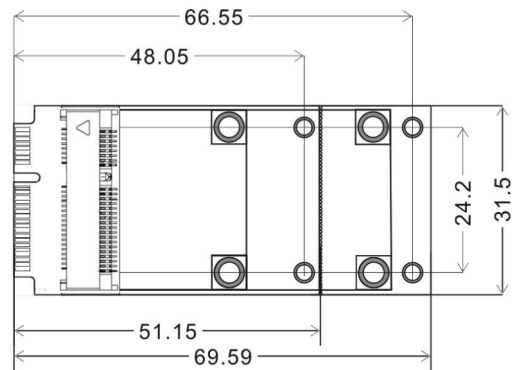


mSATA (mini PCI-e 52pin) to mSATA SSD adapter



Dimensions (unit:mm)



Order Information

| | |
|-------------|--|
| Part No. | AD914A |
| Description | mSATA(Mini PCI-e 52pin) golden finger to mSATA 52pin connector Interposer Card |

Features

- Build in mini PCI-e 52pin connector
- Connected mSATA signal to mSATA Signal port

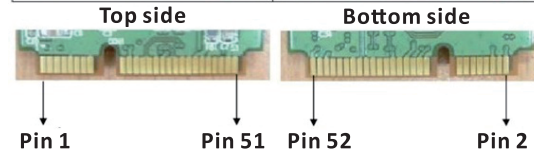
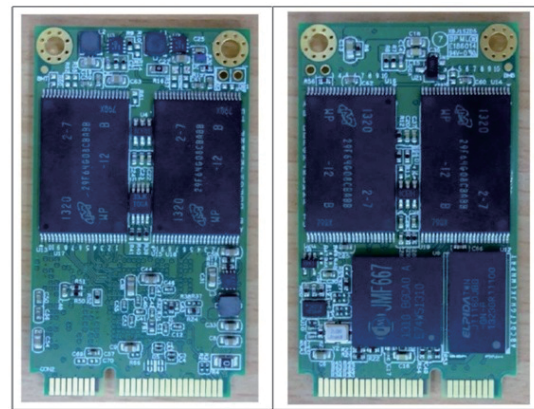
Specifications

- PCI Express Mini Card Electromechanical Spec. 1.2
- SerialATA_Revision_3_2_Gold

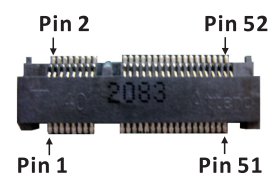
Support mSATA SSD Form factor

- Half size mSATA : 26.8mm(L) x 30mm(W)
- Full size mSATA : 50.95mm(L) x 30mm(W)

mSATA 52pin golden finger



Device connector : mSATA 52pin golden finger



mSATA 52pin connector